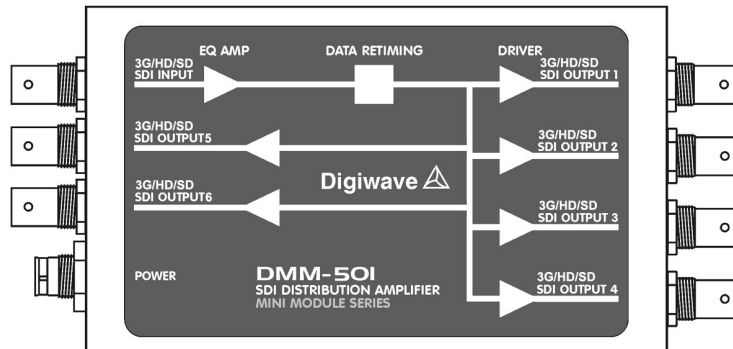


DIGIWAVE DMM-501

3G/HD/SD-SDI distribution amplifier with «reclocking»



- 3G/HD/SD-SDI distributor.
- One input and six separately buffered outputs.
- Automatic equalization input with reclocking.
- Automatic data rate selection: 3Gb/s, 1.5Gb/s, 270 Mb/s.
- Cable equalization: SD-SDI, 400m; HD-SDI, 200m; 3G-SDI, 140m of 1694 coaxial cable.
- ASI signals support (3 outputs).
- 12V regulated power supply included.

TECHNICAL SPECIFICATIONS

Input

Format	3 Gb/s, 1.5 Gb/s, 270 Mb/s, auto selection 3G/HD/SD-SDI (SMPTE 259/292/296/424)
Connector and impedance	BNC, 75 ohm
Return loss	> 15 dB, 270 Mb/s to 3 Gb/s
Equalization	SD, 400m; HD, 200m; 3G, 140m coaxil cable 1694

Output

Format	3G-SDI, HD-SDI, SD-SDI (SMPTE 259/292/296/424)
Connector and impedance	BNC, 75 ohm
Return loss	> 15 dB, 270 Mb/s to 3 Gb/s
Quantity	6 outputs

Status leds

Power	Red led
Signal Lock SD/HD/3G	Bicolor led; green, SD locked; red, HD/3G locked

Physical and electrical

Power supply	5VCC to 24VCC regulated, aprox. 2 W, secure lock connector.
Dimensions	78 mm x 110 mm (145 mm with connectors) x 25 mm

Specifications are subject to change without notice due to continuous product development and improvement.
18/03/2013